

USER MANUAL

Heat presses Transmatic REV 2C / CA - 3S / SA



Original Manual in English !
To keep for future purpose !

Stand: 09/2016
Version: 01

**DICHIARAZIONE DI CONFORMITA'
DECLARATION OF CONFORMITY
KONFORMITAETSERKLAERUNG
DECLARATION DE CONFORMITE
DECLARACIÓN DE CONFORMIDAD**

**according to 2006/42/CE e successivi emendamenti
según la directiva 2006/42/CE y sucesivas modificaciones**

Nome del produttore: **TRANSMATIC SRL**
Manufacturer's name:
Name des Herstellers:
Nom du fabricant:
Nombre del fabricante:

Indirizzo del produttore: **VIA ENZO FERRARI, 9/11/13**
Manufacturer's address: **LAZZATE -20020 - MILANO**
Adresse des Herstellers: **ITALY**
Adresse du fabricant:
Dirección del fabricante:

dichiara che il prodotto: declares that the product: erklart, dass das Product:
déclare que ce produit: declara, que el producto:

Nome del prodotto **Pressa a funzionamento elettrico**
Product name **Electric heat press**
Nom du produit **Presse électrique**
Nombre del producto **Prensa de funcionamiento eléctrico**

REV

N.

é conforme alle seguenti specifiche: conform to the following product specif:
Folgenden Produktspezifikationen entspricht: est conforme aux specifications suivantes:
es conforme con las siguientes especificaciones:

Low Voltage Directive 2006/95 CEE
EMC Directive 89/336/EEC compatibilità elettromagnetica 2004/108 CE
CEE EN 60-204
Direttiva 2006/42/CE e successivi emendamenti
Maschinenrichtlinie 2006/42/EG

Lazate,

PIETRO ALBANESE
AMMINISTRATORE UNICO
DIRECTOR GENERAL

il fascicolo tecnico, come previsto dalla direttiva 2006/42 è costituito e custodito presso
TRANSMATIC SRL - VIA ENZO FERRARI, 11 - 20824 LAZZATE (MB)

GENERAL INFORMATION

This user manual must be at all times available to the operators and the service team of the machine.

The owner of this machine must make sure that the operators, service, and maintenance team have available the fault finding chart and that all work is carried out by competent staff. This manual will help you:

to understand the use of the machine

to use the machine properly

to extend the life time of the machine

The change of the power cable has to be effected by qualified or trained persons in order to avoid injury

Please read this manual carefully. It contains important information in order to use the machine safely and efficiently.

The operation of this machine in compliance of the manual will assure :

The safety of the operating personal and the avoidance of working accidents.

Transmatic Srl. assumes no liability of damage or malfunctions resulting from failure to observe this manual

Power cables and pneumatic pipes are to be connected properly in order to avoid tripping hazards.

The machine must be placed on a flat (No slope) surface with sufficient structural strength.

WARRANTY AND LIABILITY

The present operating and maintenance manual was written with utmost care. All information and instructions for operations and maintenance is written while taking into account our experience and knowledge in good faith. This operating and maintenance instruction corresponds with text and illustrations from recent technical information. The contents of the manual lay no claims by the purchaser. If you note any omissions and or errors, we ask you in your own interest to inform us about it, for correction.

The time of the warranty of this machine is one year for mechanic and electric parts, 3 years for electronic parts. Consumable parts as PTFE covers, felts and silicone rubber are excluded from the warranty.

Warranty and liability for personal injury are excluded in case of:

- Improper operation and/or maintenance of the machine
- Operation of the machine with defective or non-functioning safety and protective devices.

- Operation of the machine with broken or not fully functional parts and assemblies.
- Failure to follow the instructions in detail
- Unauthorized modifications or changes to the machine
- Improper repair
- Acts of God or vandalism
- Unauthorized changes and modifications on machines and machine systems, in particular to control, mechanical, hydraulic or pneumatic components.

The above will also lead to cancellation of our EG declaration of conformity and the loss of the CE mark.

SPECIAL WARNINGS AND SPECIAL INFORMATIONS

In the manual will be indicated the following designations :

DANGER !



Denotes an imminent hazard.

To disregard this warning may result in death or serious injury.

CAUTION !



Indicates a potentially hazardous situation.

To ignore this advice could result injury.

WARNING !



Indicates a potentially hazardous situation. To disregard this notice may result of minor injuries.

NOTE !



Special instructions and prohibitions to prevent damage

SECURITY – AVOIDING HAZARDS

PROPER USE

- The heat presses Transmatic REV are exclusively designed to be used to print on textiles as well as subarticles as T-Shirts, Sweaters, Flag fabrics, Mousepad etc. Any other use is considerate improper ! The supplier will not be liable of damages resulting from improper use. The risk lies entirely by the user.
- Before using the heat presses Transmatic REV outside the above range of application, the customer service is to be consulted. Anything to the contrary of this eliminates warranty.
- The intended use includes the observance of the operating and maintenance instructions and the regular service of the machine.
- The heat presses have to be used and maintained only by trained persons.
- The heat presses have to be used only with original accessories and spare parts.

NOTE !



Wrong use could cause injury or hinderence to:

- **body and life**
- **objects**
- **efficient use of the machine**

DANGER SOURCES ACCIDENT PREVENTION

SOURCES OF DANGER

The heat transfer press of the type series TRANSMATIC REV is built as a state of the art and the recognized safety-related rules and regulations. Compliance with the relevant safety and accident prevention regulations is required.

Nevertheless, there are the following residual risks :



WARNING !



The temperature of the heating plate (2) ranges from 20°C to 250°C. Do not touch the hot plate.

WARNING!



Risk of crushing by the movement of the heating plate.

Do not keep fingers and hands between the work top and the hot plate or between the area where the heat plate meets the cylinder as well near to the radius of the movement.

SAFETY DEVICES

CAUTION !



- Never remove or modify safety devices.
- Do not operate the machine if safety devices are not working correctly.

EMERGENCY STOP BUTTON



Pressing the emergency stop button only raises the hot plate. Voltage and compressed air supply is not interrupted. Risk of accident !

PERSONAL PROTECTIVE EQUIPMENT

Not required.

CE-MARK

The heat presses Transmatic TS3P / TS5P/TS5PA has been built in accordance with all relevant EU standards and is fitted with the CE mark.



The attached declaration of conformity loses its validity when the machines altered or changed without our consent.

UNPACKING INSTRUCTIONS



Remove the lateral and top crake



Take the press this way, not the head or handles



If the press is too heavy to move, plug in the machine in order to make the heatplate rise up. At this point you can remove the heat plate and the two under plates.



If you lift by forklift...



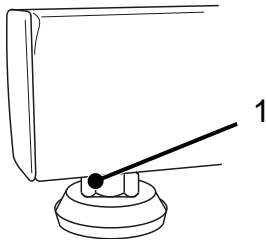
Take the machine like this.



Unscrew the blocking screw for transport.

INSTALLATION

WORKSTATION



Place the heat press on a sturdy work table.

Set up the press with the feet (1) Make sure that it is resting flat and not wobbling.

WARNING !



The working table has to be aligned and be strong enough to support the weight of the press. The movement of the head of the press may move the machine. It is recommended to fasten the feet to the table.

ELECTRICAL CONNECTION

Check, that the power switch of the machine is switched off.

Insert the plug into the socket (230 V)

WARNIG!



Connect the cable in a manner to avoid tripping hazards

START UP

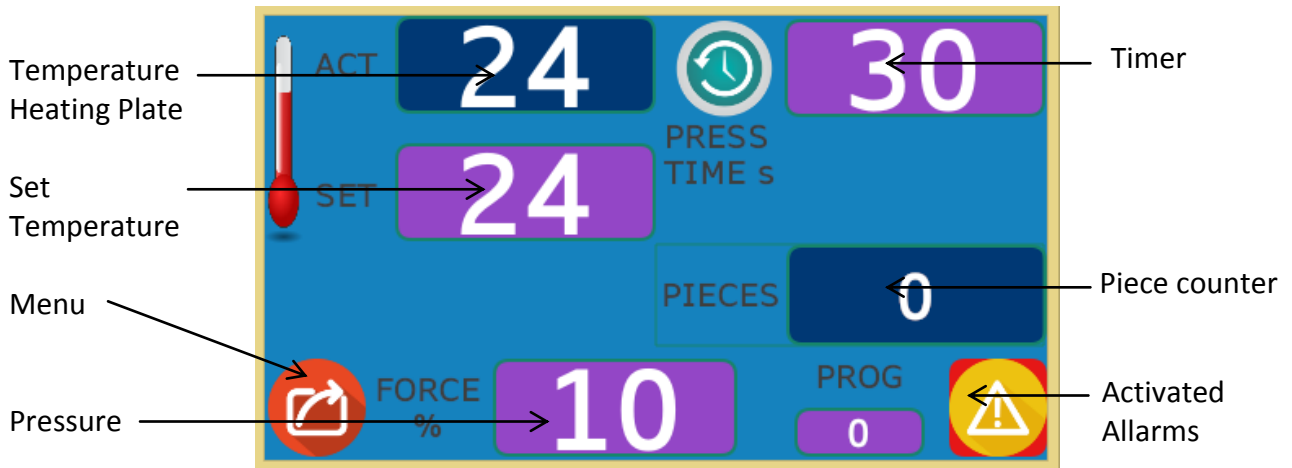
ADVICE



- Carefully unpack and position the press at its intended work station.
- Insert the plug into a 220 volts single phase socket and switch on the master switch.

:

INSTRUCTION TOUCH SCREEN



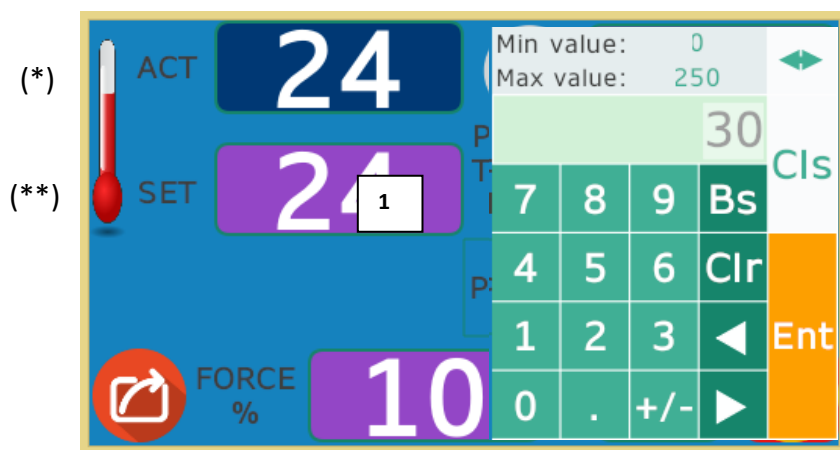
SETPOINT SETTINGS

Follow the indications of your transfer paper manufacturer. To change temperature setting ,touch box digit the new value and press enter to store.

The first value on the display (*) shows you the real temperature on the heating plate, the second value (**) shows the set temperature.

The machine is ready to press when both values are the same.

Temperature alarm is activated until heating does not reach the set temperature.



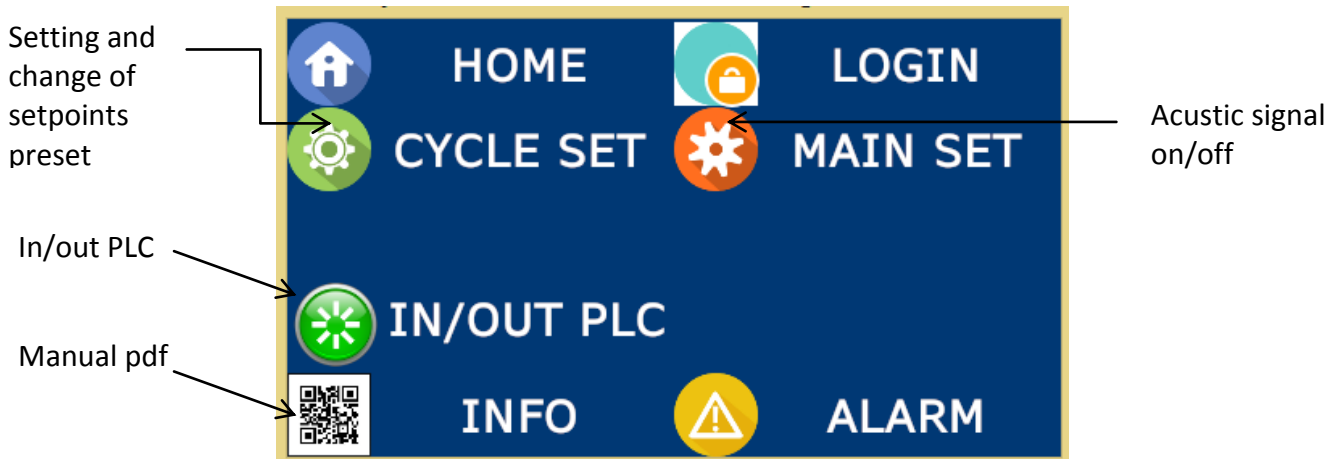
SETTING TIMER

To change timer settings press on box 2, use fingerboard to write in the new value – press enter to store.




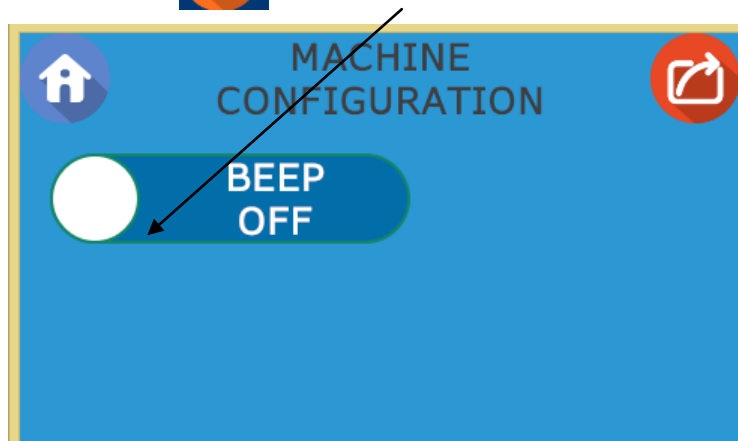
SUBMENU TOUCH SCREEN

Touching MENU  you login the submenu




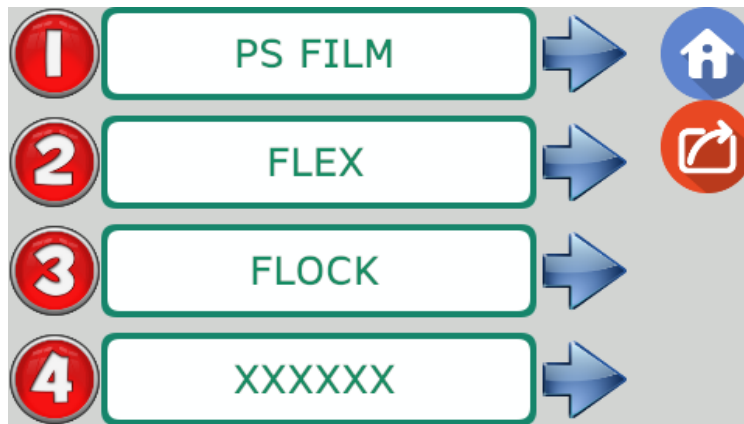
ACUSTIC SIGNAL ON/OFF

Press the " Main set " button  to activate or disable the acustic signal at the start time.




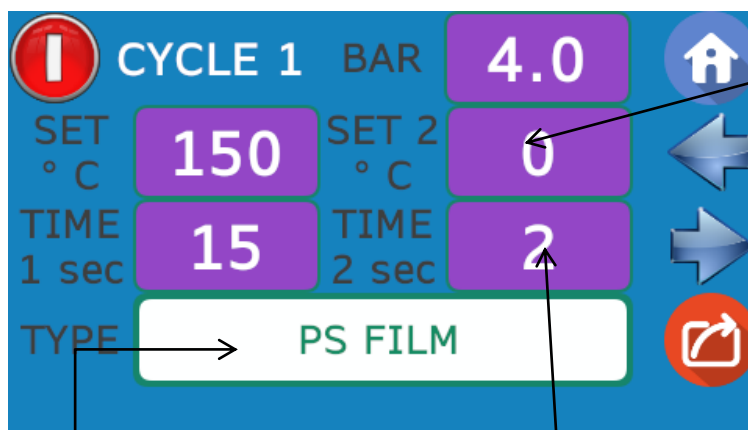
SETTING AND CHANGE OF SETPOINTS PRESET

You may create 4 customized presetting's. Press " Cycle set  to activate or change a preset.



1. CHANGE PRESET

- Touch arrow  to enter the menu
- Set requested setpoints



Set 2 °C:
Underplaten
Heating if machine
with this option

Type: Name of
Preset
Press here to change
name of the preset.

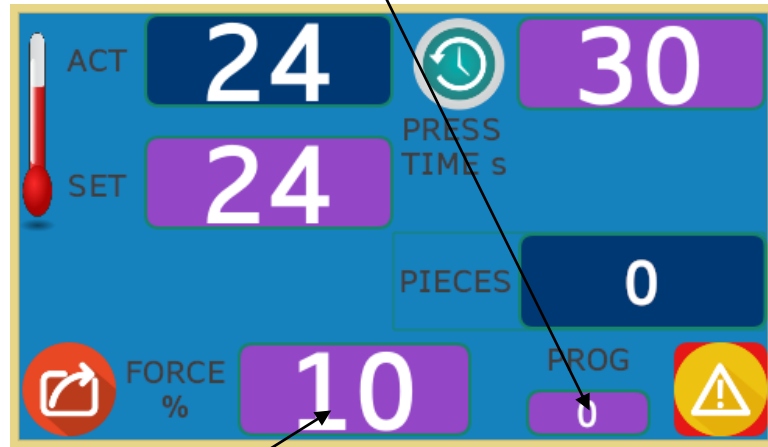
Preheating
Not in this model

2. **ACTIVATE PRESET**

To activate Preset press on the number of the program



Control on the main menu  if the program is activated



Preset pressure

RESET PIECE COUNTER

on the main MENU touch this box

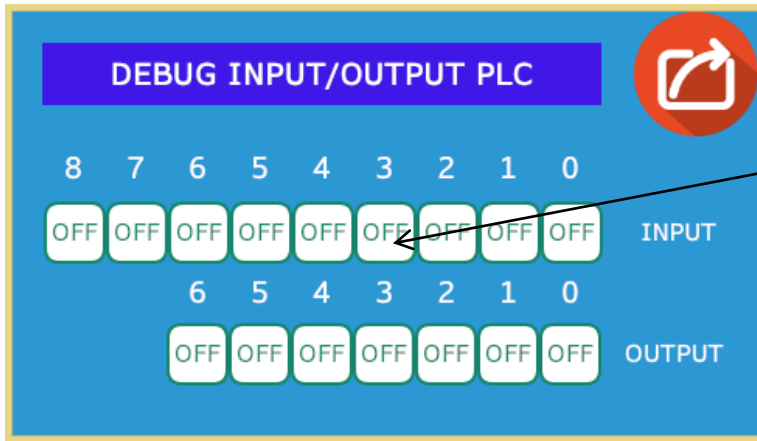


Touch here to reset the counter



PS: It is not possible to reset the historical value.

INPUT/OUTPUT PLC



Allows the visual on the exits of the PLC and eventual faults.

In case of fault contact TRANSMATIC .

USE REV S/C

Place shirt and transfers on the open under plate. Push the table to the end. Press start buttons situated on the both sides on the head of the machine simultaneously. The upper plate will Close.

USE REV SA/CA

By placing the bottom plate in the working position by means of a micro outside, the machine close automatically .

PRESSURE

The pressure of the machine can be regulated electronically. The pressure is operated by an electric motor. This regulation depends also on the thickness of the material to print .If you are printing on a thick sweat-shirt, we recommend to reduce pressure. Thin material are needing generally the maximum pressure regulation.

SAFETY

In Rev 2c Automatic machine, not having the side handles, the safety bar has a similar to An emergency button, located below the top plate to protect hands.

CAUTION



Take care of the temperature of the working plate if you want to change it during the operation.

EMERGENCY UNLOCK THE MACHINE IN CASE OF OWER FAILURE

In event of power failure or if the material to press is blocked under the heating plate – operate as follows :

ATTENTION



Switch off the power

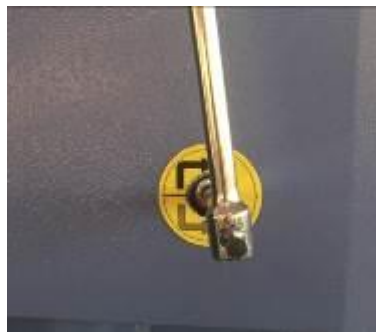
1) In event of low pressure setting (50%)

a) Turn the allen-key counter-clockwise to the end position



b) Take the material off

c) Position the plate on the original position and turning the allen key clockwise.



d) Switch power on – after the plate turns to the original position, press the emergency stop button

2) In event of high pressure setting (100 %)

a) Turn the Allen key counter-clockwise to the end position

b) Take the material(T-Shirt) off

c) Reposition the plate, turning the Allen key clockwise until upper und underplates are touching each other.

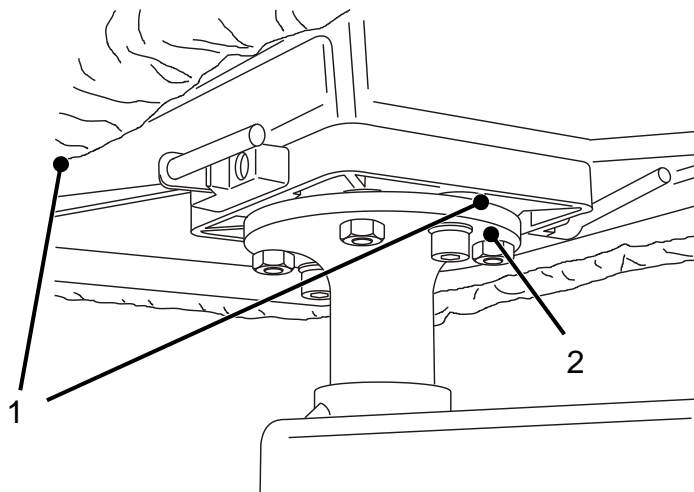
d) Switch power on. If the plate is again in the original position turn the Allen Key again until the end.

e) Press the emergency stop-button.

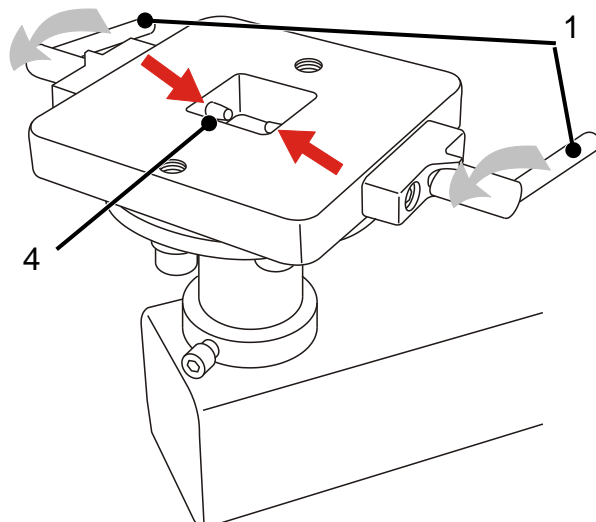
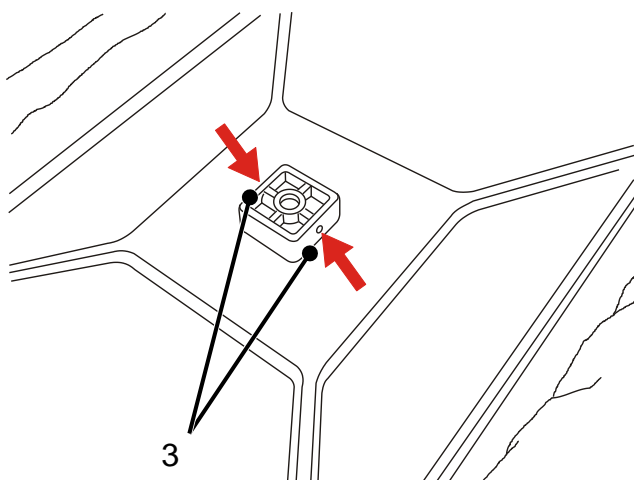
f) You can use the press again.

REPLACING PLATE

1. Swing both of the quick- release levers und the working plate (1)
2. for 180°.
3. Withdraw the plate (if you want to change the silicon rubber for example)



1. When re-installing the countertop make sure the the mounting holes (3) of the working plate are placed correctly to the locking pins of the holder.
2. Swing the quick – release levers once again for 180 ° to the old position. The plate is locked.



Technical data - subject to change without notification

SPECIFICATIONS ELECTRIC PRESSES

MODEL	REV C / CA	REV 3S
Dimension of the plate	50x40 cm	50x40cm
Voltage	230 V monofase	230 V
Power consumption	KW 2,2	2,2 KW
Power consumption /h	0.7 KW 7 H	0.7 KW7H
Temperature	40-255° C	20°/250°C
Time adjustable	999,9 sec.	999,9SEC
Pressure	600 gr/cm2	800 gr/cm ²
Net/weight / total weight	70/90 Kg	70/98 kg

Fusibile 12,5 A
Heaten plate



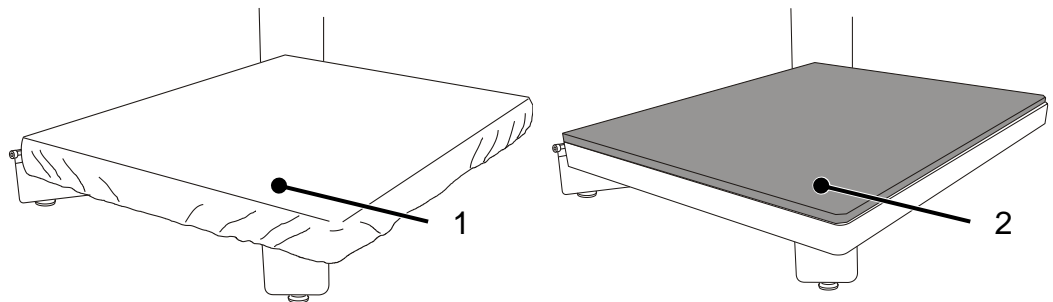
MAINTENANCE, CARE AND CLEANING

DAILY AND AS NEEDED

After work, clean the PTFE cover of possible adhesive residue, with a soft and clean cloth.

MONTHLY

- Check the PTFE covering the hot plate. If the PTFE cover is torn or damaged it must be replaced.
- Check the nomex cover and the silicon rubber on the bottom plate. Change the cover if it is damaged. If the silicon rubber has no indentations or high and low spots, it should also be replaced.



6 MONTHS

- Test the effective temperature on the plate using a temperature strip. If the real temperature is lower or higher please increase the temperature on the display accordingly.

YEARLY

- Electrical testing in accordance with accident prevention
- Check if joints are moving smoothly, oil or grease with ordinary bearing grease.
- Grease guide rod (1) and locking pins with normal grease.

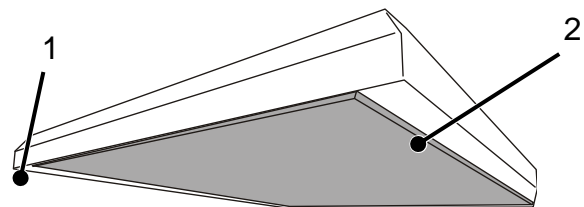
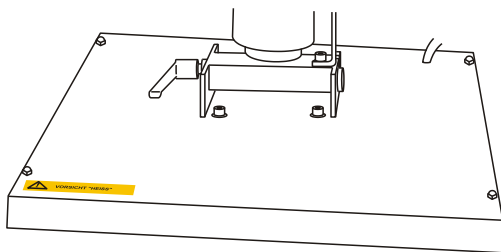
HOW TO CHANGE THE PTFE COVER

If the PTFE cover is damaged it has to be replaced. Switch off the machine and make sure that the heating plate is cold. Unscrew the 4 screws (1) and you loose the 2 rods holding the teflon sheet. Change the PTFE cover and punch 4 little holes in the PTFE textiles in order to fix again the teflon as before.

ADVICE!



On the 2 rods there are 2 threaded pins which fits into the screws.



SPARE PARTS

Ordering spare parts or asking for a technical assistance.

ADVISE!



The machine number and the year of construction are always to be communicated before asking for assistance.

You find the serial number (1) on the back of the base.

DISPOSAL



This product may not be released to the normal disposal at the end of its life.

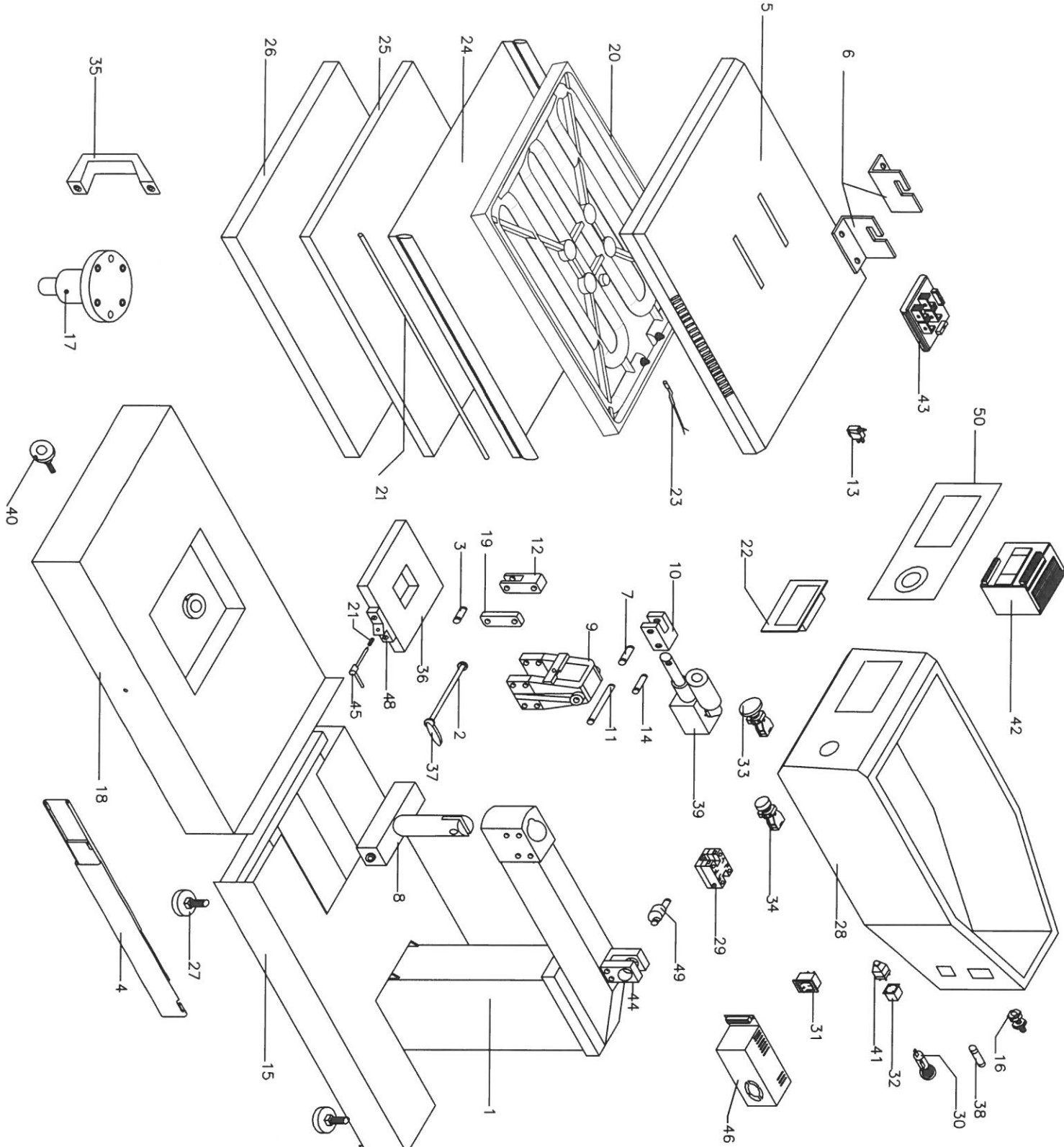
FAULT FINDING CHART

FAULT	CAUSE	REMEDY
A The ON/OFF switch does not light up	1.- ON/OFF bulb has burnt out 2.- Power cable	➤ Replace it ➤ Replace it
C The temperature alarm functioning	1.- Static relay 2.- Circuit board Trans 02/09 A	➤ Replace it ➤ Replace it
D The plate does not warm up	1.- Fuse 2.- Static relay 3.- Plate heating element	➤ Replace it ➤ Replace it ➤ Replace it
E The display shows 30°C and plate overheating	1.- Thermocouple	➤ Replace it
F The display does not light up	1.-Connection between Display board and connector flat 2.- Transformer	➤ Adjust it ➤ Replace it
G The press causes an electrical blackout	1.-Plate heating element in short-circuit	➤ Replace it

Transmatic Srl

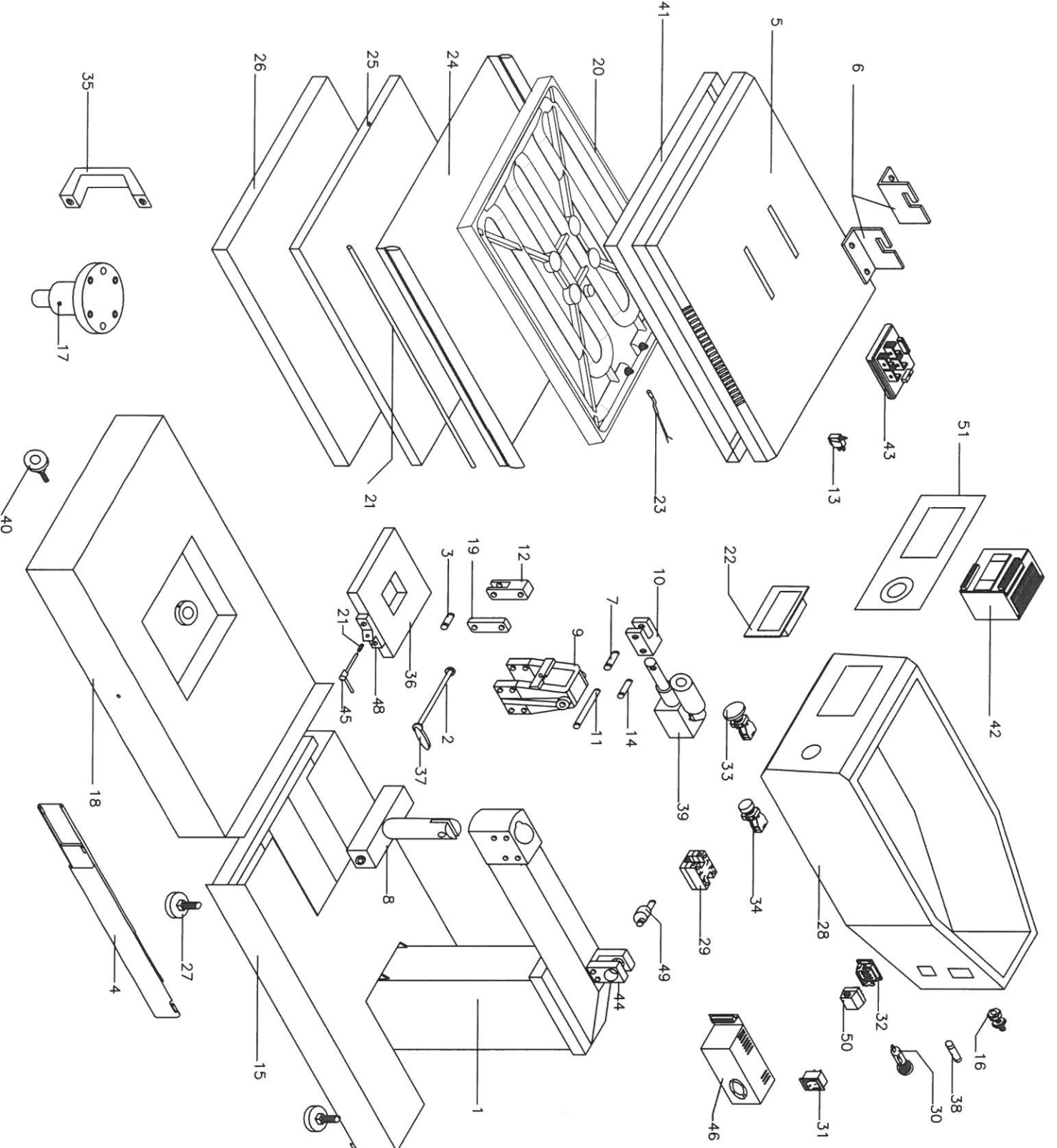
Via E. Ferrari 9/11/13 20020 Lazzate (MI) Italy
 Tel +39 02 96329816 / +39 02 96728422 fax
 info@transmaticsrl.com

SPARE PARTS MOD. REV 2C



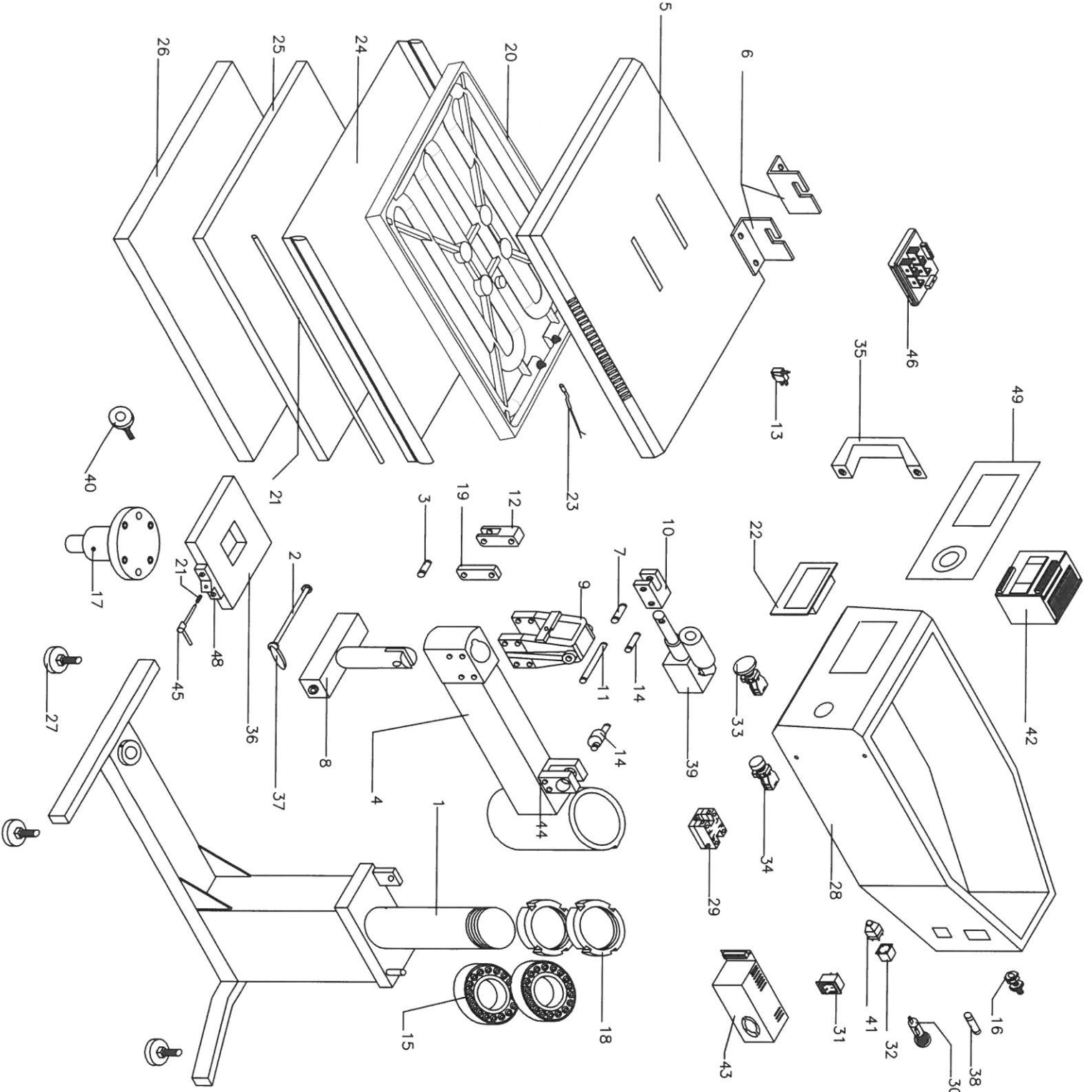
POS.	COD.	DESCRIZIONE
01	A 1041	BASAMENTO
02	A 510	PERNO CON DISCO
03	A 1024	PERNO LEVA P.PRES
04	A 1044	BINARIO TELES.
05	A 405(36)	COPERTINA
05	A 505(50)	COPERTINA
06	A 508	STAFFE DX SX
07	A 1025	PERNO FORCELLA
08	C 107	PERNO PRESS.
09	A 1026	SUPP.GINOCCHIERA
10	A 1027	FORCELLA MOT.
11	A 1028	LEVA SUPP.GINOC.
12	A 1029	LEVA PRESS.SUP.
13	B 155	MICRO
14	A 1030	LEVA DIAM.10
15	A 1042	CARTER BAS.
16	C 605	PRESSACAVO
17	A 544	SUPP.TAV.MOLL.
18	A 1043	CARTER BINARIO
19	A 1031	LEVA PRES.INF.
20	A 1039	PIASTRA TERMICA(38)
20	A 202(50)	PIASTRA TERMICA(50)
21	A 967	MOLLA LEVA BLOCCO
22	B 992	TOUCHSCREEN MAGELIS
23	S 060	TERMORESISTENZA PT 100
24	C 102(36)	TEFLON
24	C 103(50)	TEFLON
25	C 201(36)	SILICONE
25	C 202(50)	SILICONE
26	A 101(36)	TAV. MOLL.
26	A 201(50)	TAV. MOLL.
27	C 116	TAV. MOLL.
28	A 1032	PIEDINO
29	S 194	SCATOLA STRUMENTI
30	C 647-05	RELE' STATICO 25A
31	B 113	PORTA FUSIBILE
32	S 507	INTERRUTTORE
33	B 810-05	CONNETTORE FEMMINA
34	B 809	PULS.STOP A FUNGO
35	C 576	PULS.START
36	A 245	MANIGLIA SPOST.
37	C 150-05	SUPP. INTERCAMBIABILE
38	C 648-16	LEVA BLOCCO P.T.\ST.
39	B 1196	FUSIBILE
40	A 546	MOT.-VITE-S-FINE
41	S 508	VOLANTINO TAV. MOLL.
42	B 993	CONNETTORE MASCHIO
43	S 146-01	CPU SCHNEIDER221CE16T
44	A 1033	MOTOR CONTROL
45	A 966	FORCELLA BRACCIO
46	C 433	LEVA BLOCCO P.INT.
47	S 104	PHASEOABL1REM24100
48	A 965	BACCHETTA TEFLON
49	A 434	SUPP.LEVA BLOCCO
50	S 509-02	ECCENTRICO FRONT.LEXAN TOUCHSC.

SPARE PARTS MOD. REV 2CA



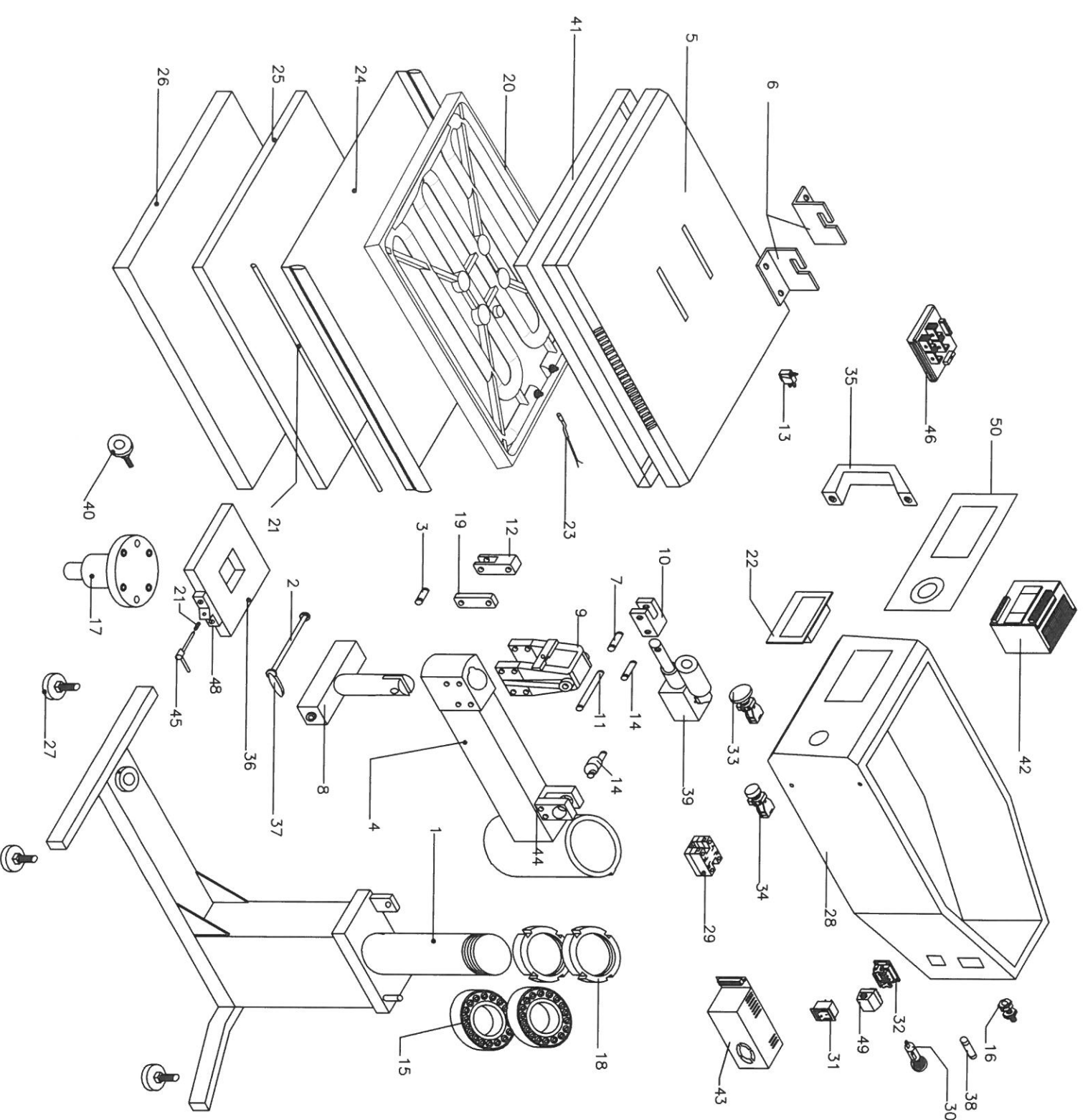
POS.	COD.	DESCRIZIONE
01	A 1041	BASAMENTO
02	A 510	PERNO CON DISCO
03	A 1024	PERNO LEVA P.PRES
04	A 1044	BINARIO TELES.
05	A 405(36)	COPERTINA
06	A 508(50)	COPERTINA
07	A 508	STAFFE DX SX
08	A 1025	PERNO FORCELLA
09	C 107	PERNO PRESS.
10	A 1026	SUPP.GINOCCHIERA
11	A 1027	FORCELLA MOT.
12	A 1028	LEVA SUPP.GINOC.
13	A 1029	LEVA PRES.SUP.
14	B 155	MICRO
15	A 1030	LEVA DIAM.10
16	A 1042	CARTER BAS.
17	C 605	PRESSACAVO
18	A 544	SUPP.TAV.MOLL.
19	A 1043	CARTER BINARIO
20	A 1031	LEVA PRES.INF.
21	A 1039	PIASTRA TERMICA(38)
22	A 1040	PIASTRA TERMICA(50)
23	A 967	MOLLA LEVA BLOCCO
24	B 992	TOUCHSCREEN MAGELIS
25	S 060	PT 100
26	C 102(36)	TEFLON
27	C 103(50)	TEFLON
28	C 201(36)	SILICONE
29	C 202(50)	SILICONE
30	A 101(36)	TAV. MOLL.
31	A 201(50)	TAV. MOLL.
32	C 116	PIEDINO
33	A 1032	SCATOLA STRUMENTI
34	S 194	RELE' STATICO 25A
35	C 647-05	PORTA FUSIBILE
36	B 113	INTERUTTORE
37	S 505	CONNETTORE FEMMINA
38	B 810-05	PULS.STOP A FUNGO
39	B 809	PULS.START
40	C 576	MANIGLIA SPOST.
41	A 245	SUPP. INTERCAMBIABILE
42	C 150-05	LEVA BLOCCO P.T.\ST.
43	C 648-16	FUSIBILE
44	B 1196	MOT.-VITE-S-FINE
45	A 546	VOLANTINO TAV. MOLL.
46	A 230	BARRIERA SICUREZZA
47	B 993	CPU SCHNEIDER221CE16T
48	S 146-01	MOTOR CONTROL
49	A 1033	FORCELLA BRACCIO
50	A 966	LEVA BLOCCO P.INT.
51	C 433	PHASEFOAB1REM24100
	C 104	BACCHETTA TEFLON
	A 965	SUPP.LEVA BLOCCO
	S 434	ECCENTRICO
	S 506	CONNETTORE MASCHIO
	S 509-02	FRONT.LEXAN TOUCHSC.

SPARE PARTS MOD. REV 3S



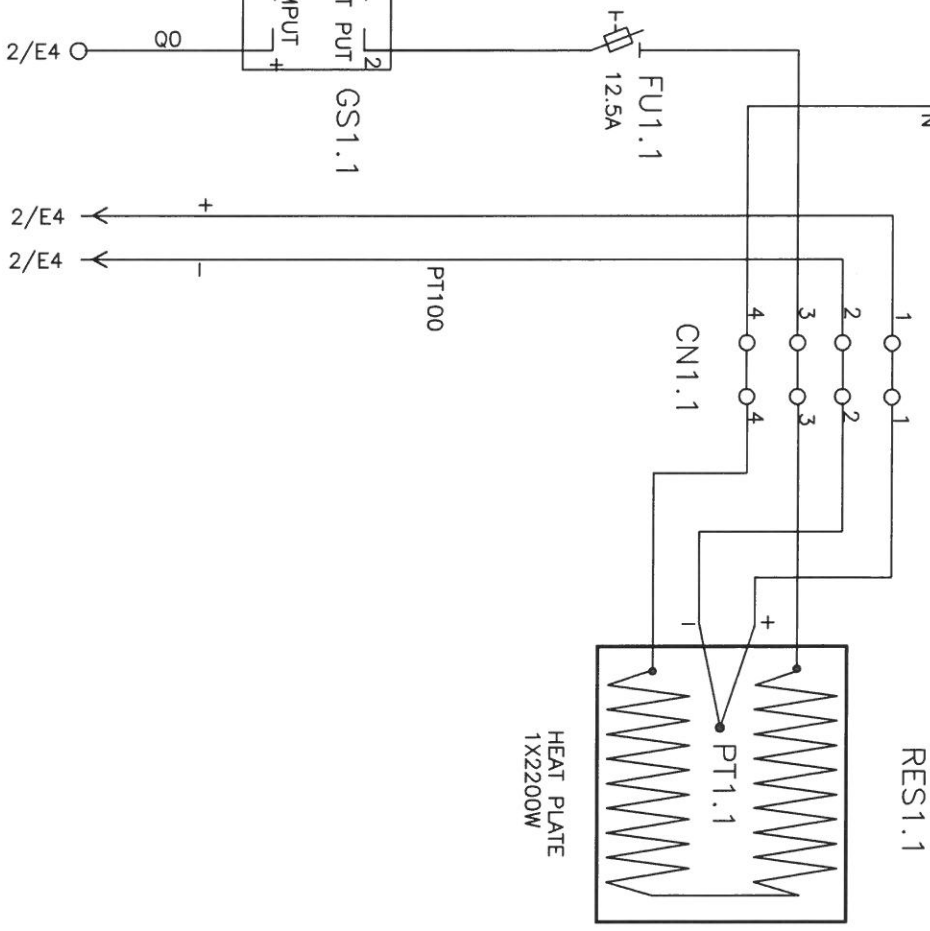
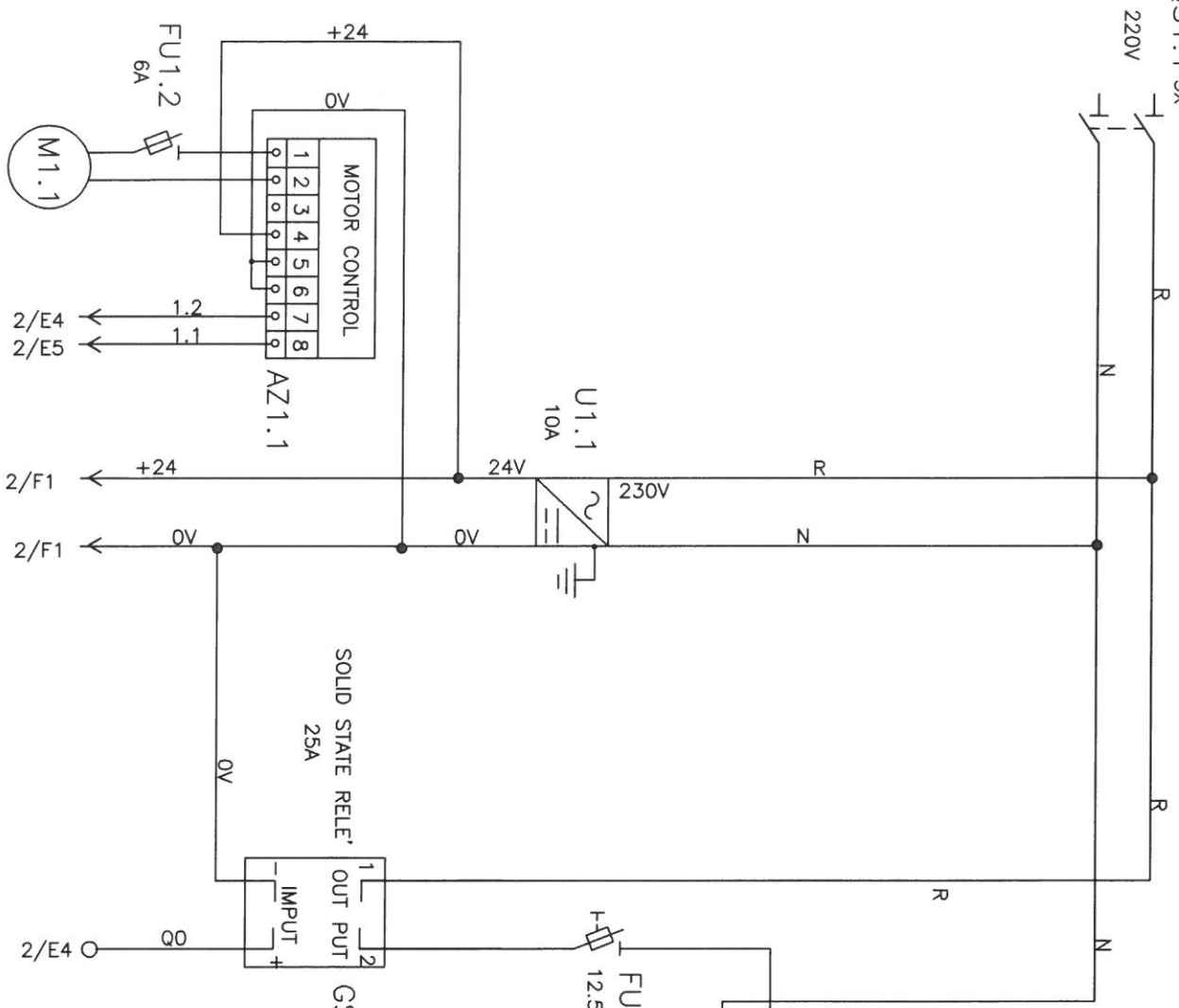
POS.	COD.	DESCRIZIONE
01	A 1023	BASAMENTO
02	A 510	PERNO CON DISCO
03	A 1024	PERNO LEVA P.PRES
04	C 837	BRACCIO
05	A 405(36)	COBERTINA
06	A 505(50)	COBERTINA
07	A 508	STAFFE DX SX
08	A 1025	PERNO FORCELLA
09	C 107	PERNO PRESS.
10	A 1026	SUPP.GINOCCHIERA
11	A 1027	FORCELLA MOT.
12	A 1028	LEVA SUPP.GINOC.
13	A 1029	LEVA PRES.SUP.
14	B 155	MICRO
15	S 434	ECCENTRICO
16	C 119-05	CUSCINETTI
17	C 605	PRESSACAVO
18	A 544	SUPP.TAV.MOLL.
19	C 120	GHIERE
20	A 1031	LEVA PRES.INF.
21	A 1039(38)	PIASTRA TERMICA(38)
22	A 202(50)	PIASTRA TERMICA(50)
23	A 967	MOLLA LEVA BLOCCO
24	B 992	TOUCHSCREEN MAGELIS
25	S 060	PT 100
26	C 102(36)	TEFLON
27	C 103(50)	TEFLON
28	C 201(36)	SILICONE
29	C 202(50)	SILICONE
30	A 101(36)	TAV. MOLL.
31	A 201(50)	TAV. MOLL.
32	C 116-05	PIEDINO
33	A 1032	SCATOLA STRUMENTI
34	S 194	RELE STATICO 25A
35	C 647	PORTA FUSIBILE
36	B 113	INTERUTTORE
37	S 507	CONNETTORE FEMMINA
38	B 810-05	PULS.STOP A FUNGO
39	B 809	PULS.START
40	C 576	MANIGLIA SPOST.
41	A 245	SUPP. INTERCAMBIABILE
42	C 150-05	LEVA BLOCCO P.T.'ST.
43	C 648-16	FUSIBILE
44	B 1196	MOT.-VITE-S-FINE
45	A 546	VOLANTINO TAV. MOLL.
46	S 508	CONNETTORE MASCHIO
47	B 993	CPU SCHNEIDERM221CE16T
48	S 433	PHASEOABU1REM24100 SCH.
49	A 1033	FORCELLA BRACCIO
50	A 966	LEVA BLOCCO P.INT.
51	S 146-01	MOTOR CONTROL
52	C 104	BACCHETTA TEFLON
53	A 965	SUPP.LEVA BLOCCO
54	S 509-02	FRONT.LEXAN TOUCHSC.

SPARE PARTS MOD. REV 3SA

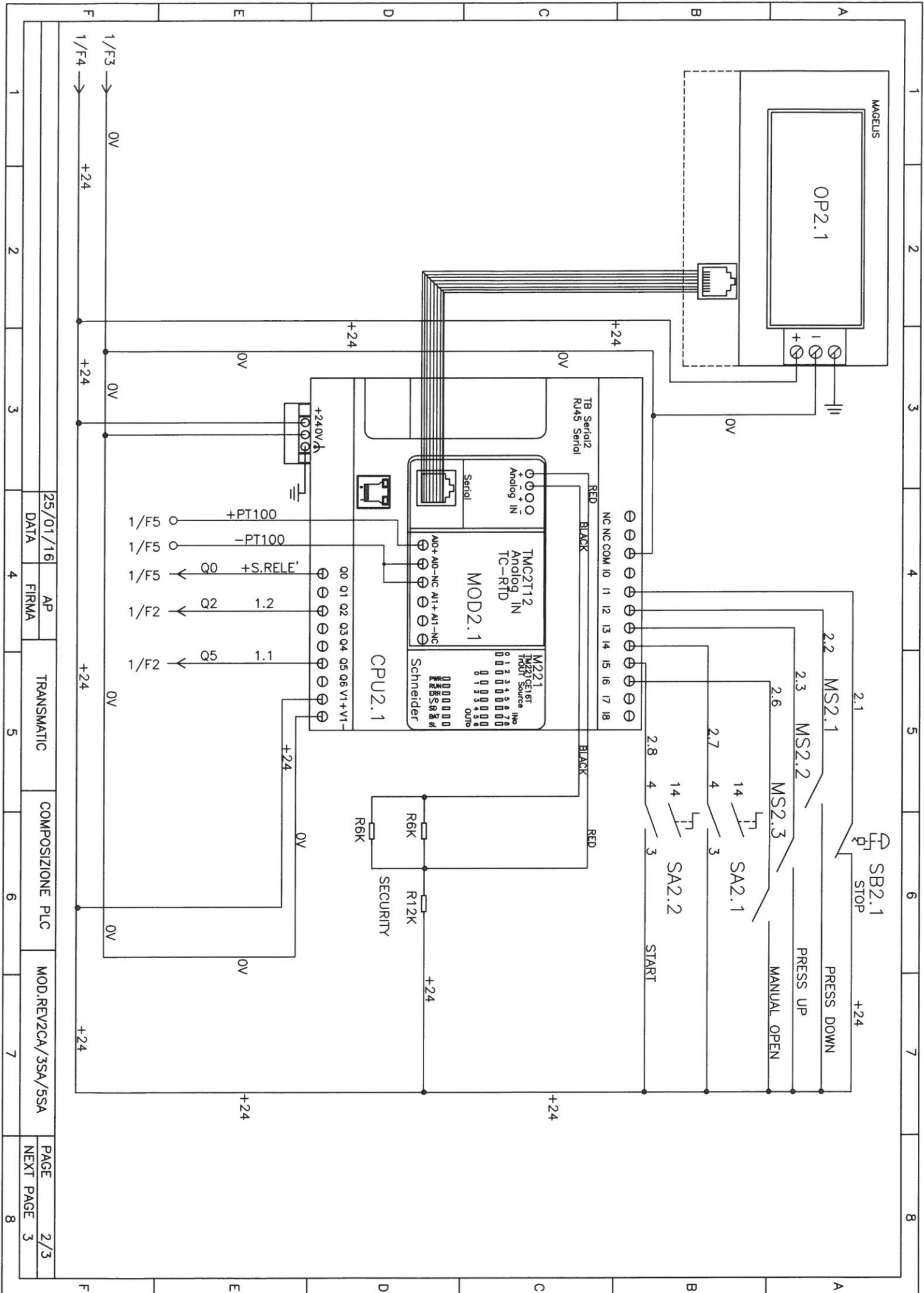


POS.	COD.	DESCRIZIONE
01	A 1023	BASAMENTO
02	A 510	PERNO CON DISCO
03	A 1024	PERNO LEVA P.PRES
04	C 837	BRACCIO
05	A 405(36)	COPERTINA
06	A 505(50)	COPERTINA
07	A 508	STAFFE DX SX
08	A 1025	PERNO FORCELLA
09	C 107	PERNO PRESS.
10	A 1026	SUPP.GINOCCHIERA
11	A 1027	FORCELLA MOT.
12	A 1028	LEVA SUPP.GINOC.
13	A 1029	LEVA PRES.SUP.
14	B 155	MICRO
15	S 434	ECCENTRICO
16	C 119-05	CUSCINETTI
17	C 605	PRESSACAVO
18	A 544	SUPP.TAV.MOLL.
19	C 120	GHIERE
20	A 1031	LEVA PRES.INF.
21	A 1039(38)	PIASTRA TERMICA(38)
22	A 2040(50)	PIASTRA TERMICA(50)
23	A 967	MOLLA LEVA BLOCCO
24	B 992	TOUCHSCREEN MAGELIS
25	S 060	PT 100
26	C 102(36)	TEFLON
27	C 103(50)	TEFLON
28	C 201(36)	SILICONE
29	C 202(50)	SILICONE
30	A 101(36)	TAV. MOLL.
31	A 201(50)	TAV. MOLL.
32	C 116-05	PIEDINO
33	A 1032	SCATOLO STRUMENTI
34	S 194	RELE' STATICO 25A
35	C 647	PORTA FUSIBILE
36	B 113	INTERUTTORE
37	S 505	CONNETTORE FEMMINA
38	B 810-05	PULS.STOP A FUNGO
39	C 576	PULS.START
40	A 245	MANIGLIA SPOST.
41	C 150-05	SUPP. INTERCAMBIABILE
42	C 648-16	LEVA BLOCCO P.T.\ST.
43	B 1196	FUSIBILE
44	A 546	MOT.-VITE-S-FINE
45	A 230	VOLANTINO TAV. MOLL.
46	B 993	BARRIERA SICUREZZA
47	S 433	CPU SCHNEIDERM221CE16T
48	A 1033	PHASEOABL1REM24100 SCH.
49	A 966	FORCELLA BRACCIO
50	S 146-01	LEVA BLOCCO P.INT.
	C 104	MOTOR CONTROL
	A 965	BACCHETTA TEFLON
	S 506	SUPP.LEVA BLOCCO
	S 509-01	CONNETTORE MASCHIO
		FRONT.LEXAN TOUCHSCH.

GENERAL SWITCH
QS1.1 3x



1	2	3	4	5	6	7	8
25/01/16				AP	TRANSMATIC		MOD.REVA 2CA/ 3SA/ 5SA
DATA				FIRMA			PAGE 1/3
							NEXT PAGE 2



25/01/16
DATA

AP
FIRMA

TRANSMATIC

COMPOSIZIONE PLC

MOD.REV2CA/3SA/5SA

PAGE 2/3
NEXT PAGE 3

